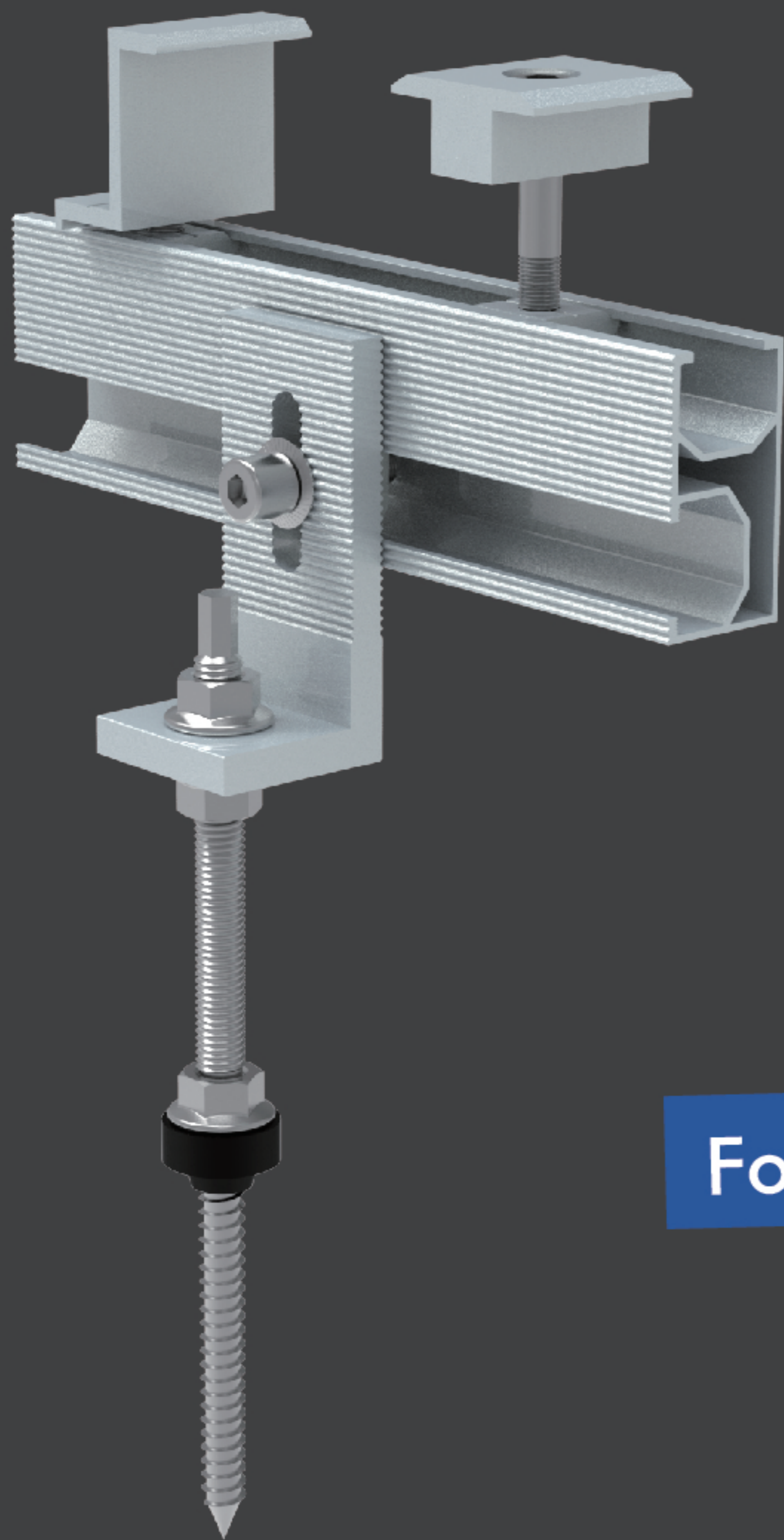


VG SOLAR



C20 Hanger Bolt Solution

Fast Installation

High Compensation of
Mounting Tolerances

For Trapezoidal Metal Roofs

Hanger Bolt Solution

Hanger Bolt Solution



VG Solar
Solar Mounting System

VG SOLAR

Hanger Bolt Solution

If you worry about the location's high load at wind and snow, the hanger bolt is a perfect solution. Great compatibility at corrugated, trapezoidal tin roof and asbestos tile roof.

Advantages

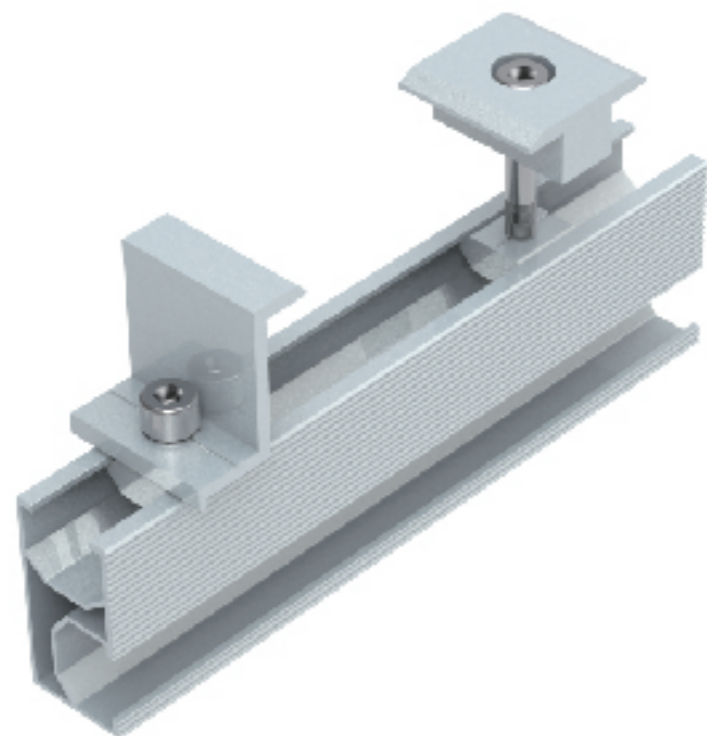
- High durable, suit for high load region.
- Adjustable up to 38mm, available with M10 and M12 hanger bolt.
- Could fix on roof directly with or without hanger bolt.
- EPDM water-proofing hanger bolt protects the roof.

Tech data

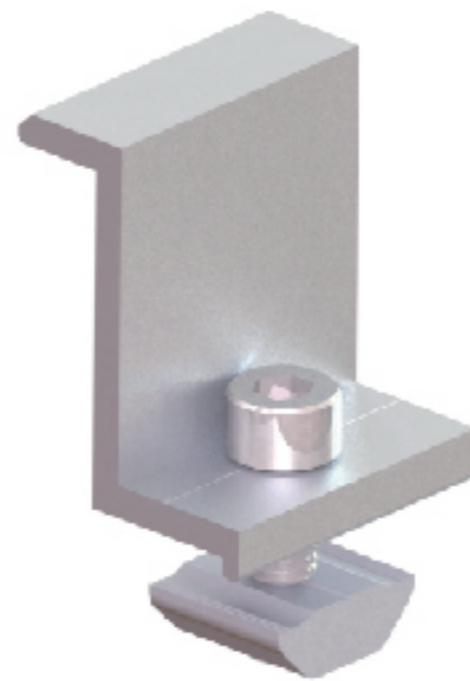
Roof pitch: 0°-60°
Wind load: up to 60m/s
Snow load: up to 1.8KN/M²

Certification

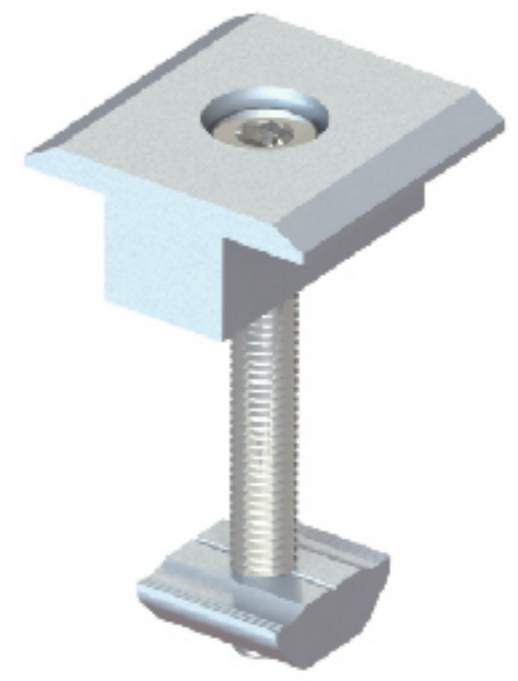
MCS
AS/NZS1170
CE
ISO



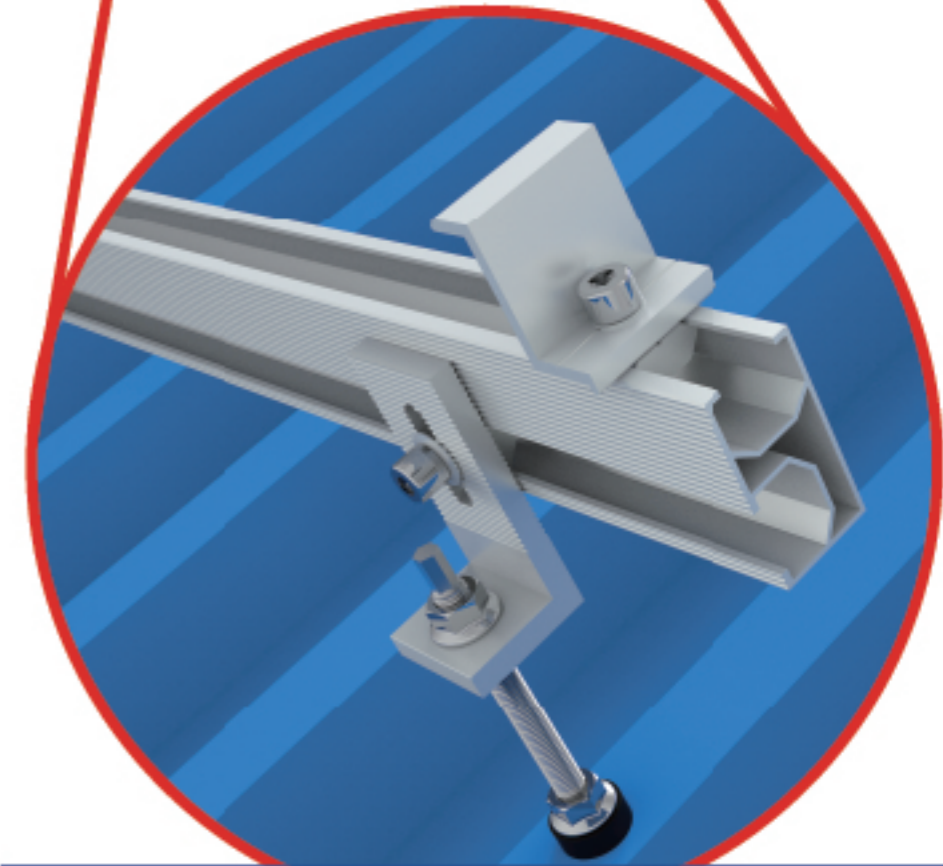
Rail With Clamps



End Clamp



Mid Clamp



Detail in Side View



Hanger Bolt

